



Ti-Brook

**Series
Aluminum Quarter-Frame
End Dump**



Ti-Brook

SERIES ALUMINUM QUARTER-FRAME END DUMP

Ti-Brook

Aluminum Quarter-



Steel overhanging boomerang hinge with recessed grease zerk. Steel hinge welded to aluminum tailgate with bi-metal material.



Optional: Air operated fold-up rear underside bumper that conforms with the Federal Under Ride Protection Regulation.



Rugged lightweight design is ideal for off-road and quarry hauling applications.

Lightweight,
Strength,
Dependable
Performance



Ti-Brook Series Quarter-Frame End Dumps are engineered to deliver maximum payload, maximum fuel mileage efficiency, and maximum profitability. Excellent for hauling materials for several markets, including:

- Sand and gravel, crushed small aggregate, stone, top soil, etc.
- Asphalt paving applications
- Ag lime and fertilizer
- Grains and other crops
- Crushed coal
- Glass cullet



Air-operated bottom latch assembly with positive over-center mechanism for secure operation.



Optional: Extended aluminum apron for paver/spreader application.

-Frame End Dump



5/8" rod with clevis for easy bottom latch adjustment. Greaseless (polyfiber bushing) roll bar blocks are standard equipment.



2" diameter rear pivot pin with double grease zerks and replaceable bushing.



Rugged steel upper coupler with integrated hoist mount.



Standard 3-panel tailgate for extended tailgate life. Spreader chains are welded to the gate and stored in a box.

ADDITIONAL MODELS AVAILABLE



Frame Type Aluminum Dump Trailer (Steel Frame is Standard; Aluminum Frame is Optional)

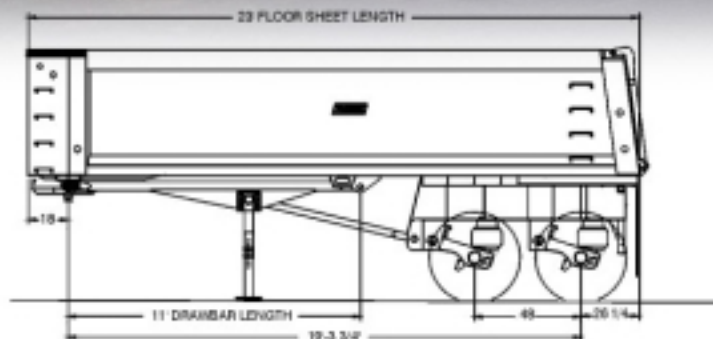


Aluminum Frameless Dump Trailer



Aluminum Quarter Frame Dump Trailer

Ti-Brook Series Aluminum Quarter-Frame End Dump



STANDARD EQUIPMENT

Chassis Group:

18" King Pin Setting
 3/16" x 3" x 4" Steel Tubing
 Primary Draw Bar
 3/16" x 2" x 3" Steel Tubing
 Secondary Draw Bar
 Hendrickson HT 300 Tandem
 Air Ride Suspension w/Exhaust
 Button by Mudguard
 25,000# 5/8" Wall "TP" Type 71.5*
 Track Axles
 7" Brakes
 *251M ABS System
 Automatic Slack Adjusters
 10-Hole Steel Hub-Piloted Hubs
 Outboard Cast Drums
 10-Hole Steel Wheels
 11R22.5 Radials Tires

ICC Bumper
 Two-speed Load-Bearing
 Landing Gears

Floor Group:

1/4" Tempered Aluminum Floor
 4" U-Type Cross Members
 on 12" Centers

Bulkhead Group:

5-Stage 8" Hoist
 1/4" Rolled Bulkhead
 Shovel Bracket
 Cast Steps on Street Side

Side Group:

60" Side Height
 .250" Tempered Side Sheet
 Smooth Dirt Sheddors
 Knee Braces
 Cast Steps at Rear

Tailgate:

3-Panel Construction
 Flush Overhanging Hinges
 Extruded Rubber Seal
 Tarp Hooks
 Air-Controlled w/Button
 by Rubber Guard

Apron:

Extrusion Apron

Light Group:

2 Markers/Side
 Center Turn Signal w/Marker Light
 Lights in Body Back Plate

Flaps & Guards:

Rubber Flaps & Rubber Guards

Finishing Instructions:

Conspicuity Tape
 Painted Steel Components
 Bright Wash Finish

*To meet 1997 Federal requirements, Trail King offers two variations of the anti-lock braking system. The minimum 251M system is available, but Trail King recommends the 452M system.

All specifications are subject to change without notice. Trailers pictured in this brochure may feature optional equipment.



Distributed by:

TRAIL KING Industries

Ti-Brook

A **CIMMILL** Company

SERIES ALUMINUM QUARTER-FRAME END DUMP

147 Industrial Park Road ■ Brookville, PA 15025 ■ 800-545-1549 U.S. & Canada ■ 814-849-2342 ■ Fax: 814-849-5063 ■ www.trailking.com
 All rights reserved Trail King Industries, Inc. FORMTKAQF 3/2005-3