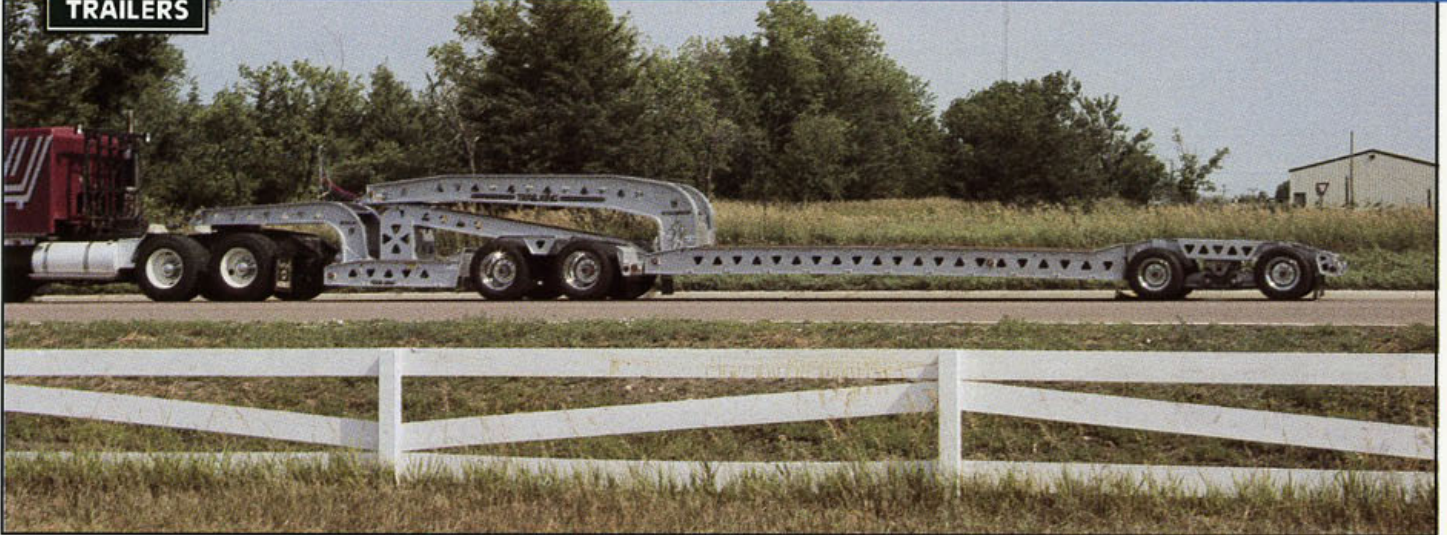




DG SERIES 16 WHEEL TRUNNION TRAILERS



Model TK120MDG Mechanical Detachable "Expando" - 120,000 lb. capacity.

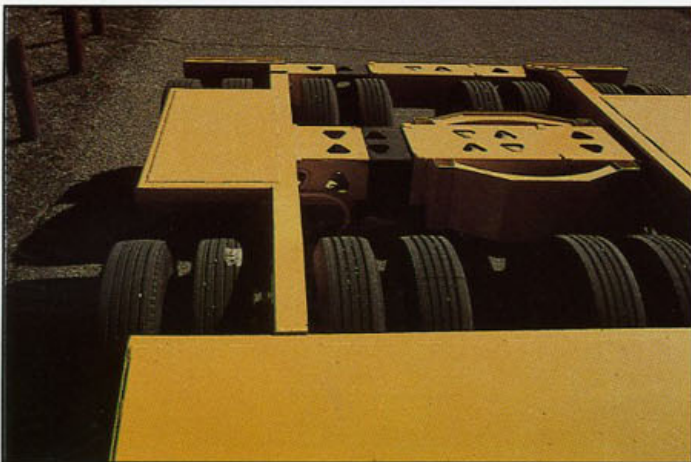
"TKDG" Series Expanding Your Hauling Capabilities

Trail King Industries, manufacturer of the most popular detachable gooseneck trailers in the transportation industry, offers a quality-built, lightweight, and versatile 16-wheel trunnion axle trailer.

Available as a mechanical or hydraulic detachable gooseneck, these Trail King trailers are constructed of 100,000/80,000 psi high yield strength steel and offer the user payload capacities from 88,000 to 120,000 lbs.

The 88,000 lb. capacity unit features a perimeter style gooseneck and is available with either a fixed trunnion or with an expandable rear wheel area which expands from 8'6" to 10' wide.

The 120,000 lb. capacity "Expando" trailer (shown above) features a full 4-beam main frame and allows for use with a jeep and interchangeable gooseneck. The trailer can also be equipped with a hydraulic tower or "hat box."



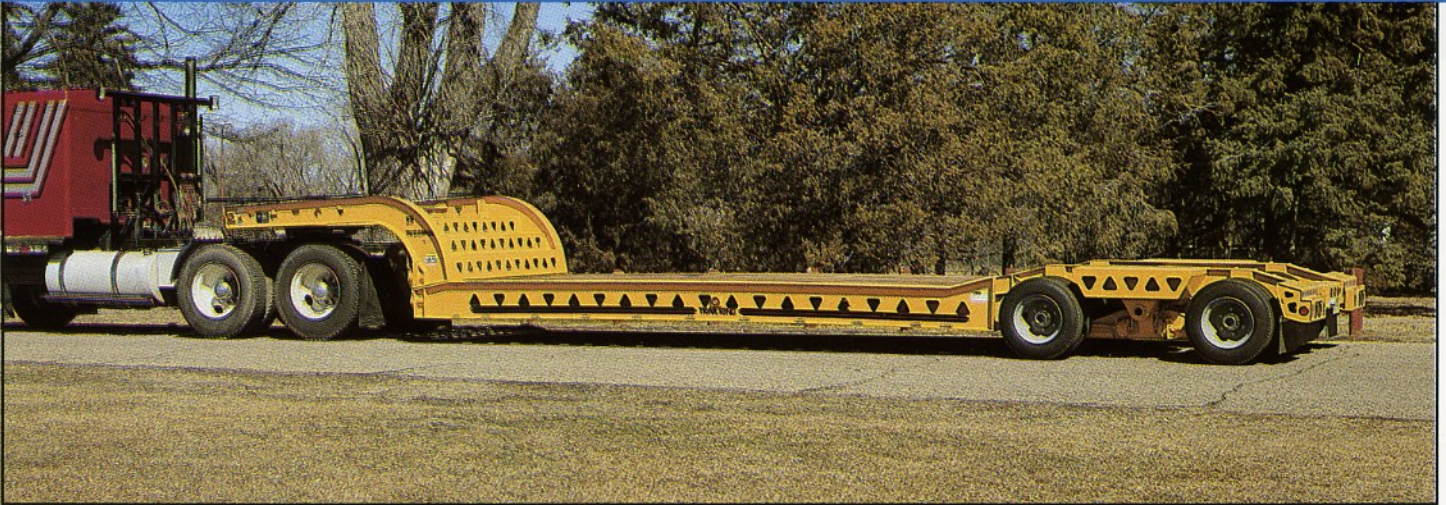
Increase your permissible axle load capacity with the expandable rear wheel area. Optional on the 44 ton unit, and standard on the 60 ton unit, the wheel area expands using two pneumatic cylinders.



Trail King's unique self-lifting, self-supporting hydraulic detachable gooseneck is available for a quick and easy one-man operation. Includes hydraulic support arm and air-activated self-locking pin on the gooseneck.

A COMPLETE LINE FOR ALL YOUR HAULING NEEDS

TRAIL KING 16 WHEEL TRUNNION TRAILERS

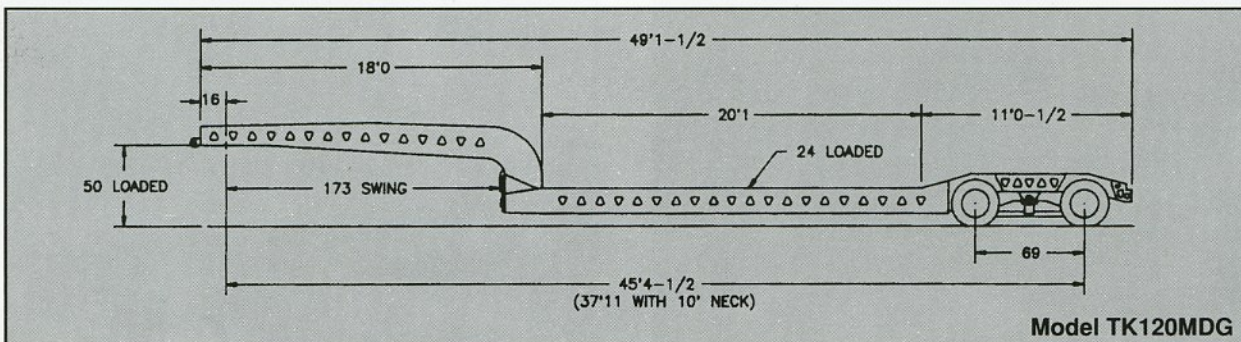
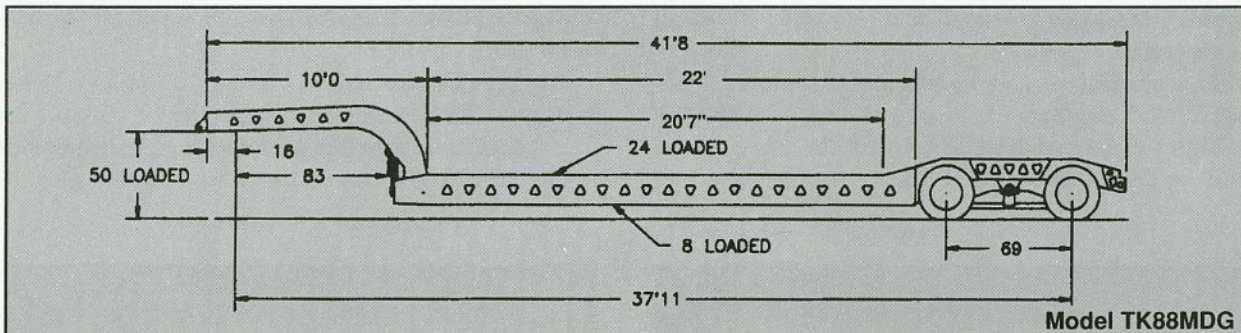


Model TK88MDG Mechanical Detachable "Expando" - 88,000 lb. capacity.

STANDARD EQUIPMENT

69" trunnion walking beam suspension
 12-1/4" x 5-1/2" air brakes
 215/75R 17.5-16PR radial tires (H)
 6:75 x 17.5 - 6 hole disc wheels
 Oil seals
 100,00/80,000 PSI yield strength steel construction

10" I-beam crossmembers on 24" centers
 2" nominal oak decking
 24" loaded deck height
 27" beavertail (steel with traction aids)
 102" overall deck width
 Rubber mounted sealed lights and electrical system



All specifications are subject to change without notice. Trailers pictured in this brochure may feature optional equipment.



TRAIL KING Industries

SPECIALIZED DIVISION

P.O. Box 1064 • Mitchell, SD 57301 • 1-800-843-3324 U.S. & Canada • 605-996-6482 • Fax: 605-996-4727

ALL RIGHTS RESERVED TRAIL KING INDUSTRIES, INC. FORM SDGX0491-20