

UltraLite Bottom Dump



UltraLite™

Series Bottom Dump



*Designed for On-Highway Use
with Maximum Payload*



UltraLite™

SERIES

Ultra-Lite™

Bottom Dump



Full Oscillating Fifth Wheel Plate features a spherical, chrome-bushed design that reduces wear and provides longer service life than a shaft and bushing design.



Lightweight Crossbraces tie the frame together in a way that minimizes the flexing and twisting that can cause cracking in critical stress areas.



Wooden Extensions replaceable, reinforced wooden extensions provide protection to hopper edges and added capacity. (optional)



Ultra-Lite™

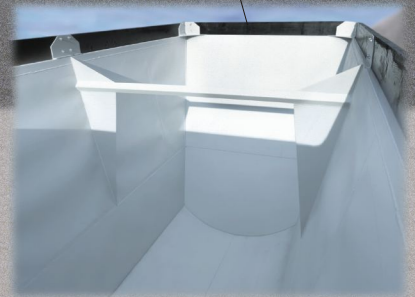
Trail King has designed the Ultra-Lite™ Bottom Dump, only 9,900 lbs. and large capacity. Extreme weight reduction is achieved through the use of 100,000/175,000 psi Domex/Docal high strength steel components and re-engineered structure. The Ultra-Lite Bottom Dump... Ultra-Lite. Ultra-Efficient.

And you can get fast approval, and great rates with TKExpress financing from Trail King.

TKX EXPRESS
Financing



Oil-impregnated Bronze Bushings greaseable gate pivot pins ensure smooth operation, long life and simplified replacement.



One-Piece Unitized Design 175,000 psi upper hopper and 100,000 psi frame provides optimum strength and maximum weight savings.

Trailer



Large Air Reservoir,
with air system oiler, means longer
operating time and better control.

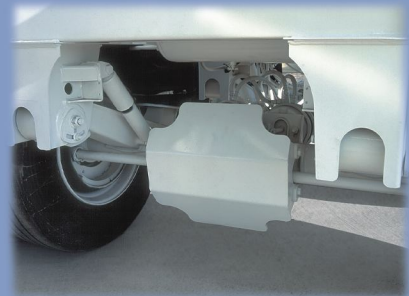


Full-Width Aluminum Fenders,
both front and rear, are sloped to
shed material more effectively.



Other Standard
Features Include:

Pin-Style Landing Legs



Windrow Deflector



Remote Variable Control



Large 12' Gate
and 60" x 106" hopper opening,
combined with nearly vertical hopper
walls, delivers complete dumping of
even the stickiest materials.



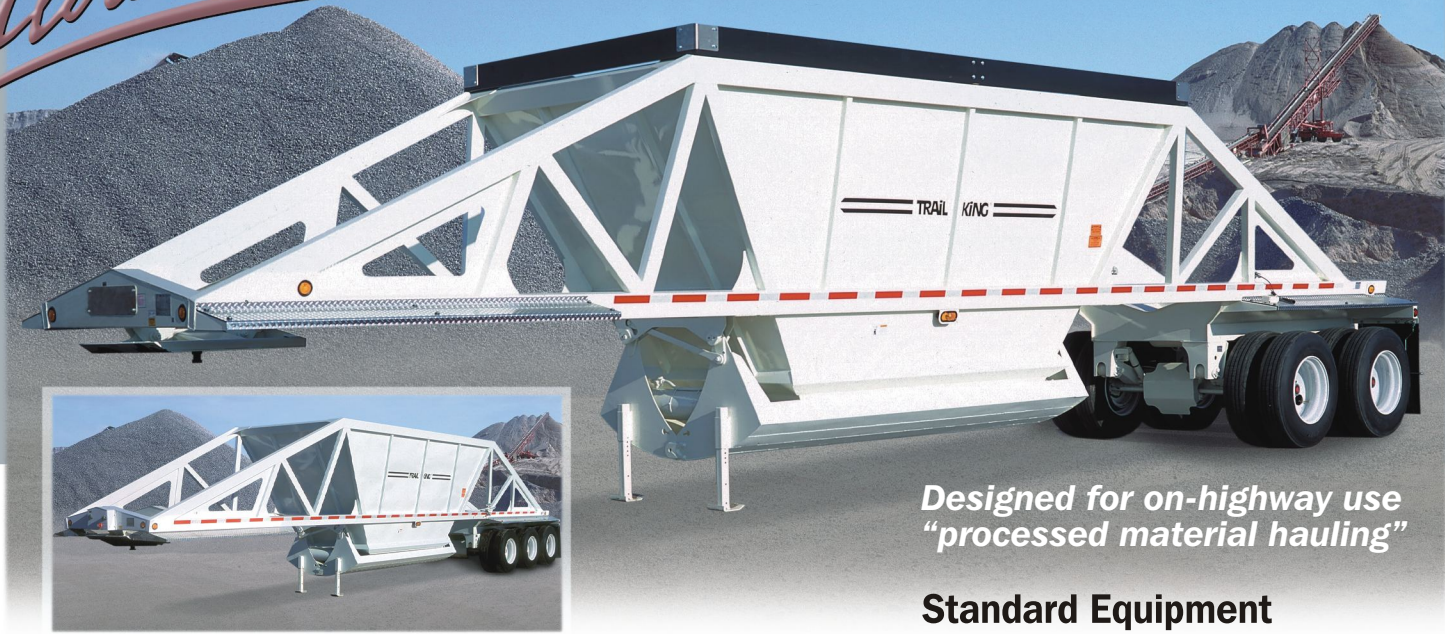
**Chrome-Bushed Spherical
Bearings**
on the ends of the gate equalizer
arms reduce wear and ensure long,
trouble-free service life.



Bolt-On Push Block

Ultra Lite™

Series Bottom Dump

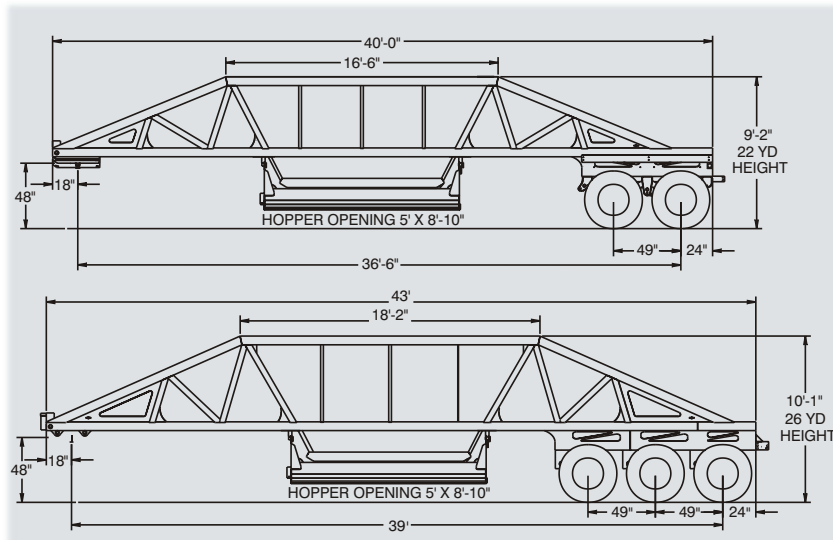


*Designed for on-highway use
"processed material hauling"*

Specifications*

Model	BDLW22-402	BDLW22-362	BDLW22-403	BDLW26-433
Capacity	22 cu. yds.	22 cu. yds.	22 cu. yds.	26 cu. yds.
Overall length	40'	36'	40'	43'
Overall height	9' 2"	9' 2"	9' 2"	10' 1"
Overall width	102"	102"	102"	102"
KP to center last axle	36' 6"	32' 6"	36' 6"	39' 6"
Empty weight +/- 3%	10,600 lbs.	10,550 lbs.	12,500 lbs.	13,000 lbs.

All dimensions are approximate and are subject to change without notice.



*All specifications are subject to change without notice. Trailers pictured in this brochure may feature optional equipment.

Standard Equipment

- 16 - 1/2" air brakes.
- 8.25 x 22.5 steel disc wheels (hub piloted).
- 11R 22.5 radial tires.
- Dura-lite hubs/centrifuge drums.
- Multi-leaf spring suspension.
- 18" kingpin setting.
- Oscillating kingpin plate.
- 100,000/175,000 psi high yield steel unitized frame construction.
- 102" wide.
- Telescoping pin-type park stands.
- Rubber-mounted sealed beam lights and sealed harness system.
- Mid-turn signal/clearance lights.
- Electrical system per DOT regulations.
- 7-pole electrical socket.
- Red and white conspicuity markings.
- 8" composite cylinders.
- Variable flow gate control.
- Bolt-on push block/bumper.

Optional Features

- 20' to 43' overall length.
- 6-pole electrical socket.
- 3rd tail light package.
- Air-ride suspension.
- Sloped cover front and rear.
- Pup trailers available.
- Single and tandem dollies.
- Tire and wheel options.
- Side boards/tarp systems.

Distributed By:



TRAIL KING Industries *Ultra Lite*™
SERIES